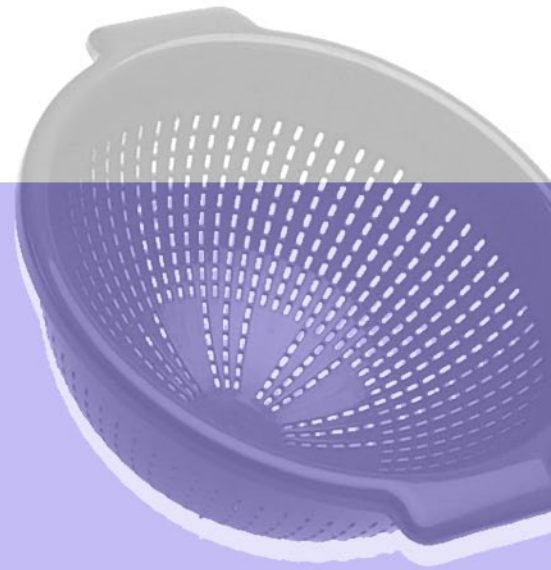


UTILPLASTIC

100% MADE IN ITALY 



WWW.UTILPLASTIC.IT

CATALOGO PRODOTTI CATALOGUE DES PRODUITS CATÁLOGO DE PRODUCTOS



PULIZIA
NETTOYAGE
LIMPIEZA



CUCINA
CUISINE
COCINA



BAGNO E LAVANDERIA
SALLE DE BAIN ET BUANDERIE
BAÑO Y LAVADERO



RACCOLTA
RECYCLAGE
RECICLAJE



GIARDINO
JARDIN
JARDÍN

PULIZIA
NETTOYAGE
LIMPIEZA



Alzaimmondizia | Pelles | Recogedor

Palette | Pelles | Palas manual

Scope | Balais | Escobas

Set pulizia | Pelle et balayette | Set de limpieza

Lavavetro | Lavavitre | Limpiacristales

Manici | Manches | Palos

Mop lavapavimenti | Franges | Trapeadores

Secchi e strizzatori | Seaux et essourers | Cubos y escurridores

Spazzole | Balayettes | Cepillos

Spazzoloni | Balais brosse | Cepillos

Ragnatore | Brosse pour toile araignee | Removedor de telarañas

01034

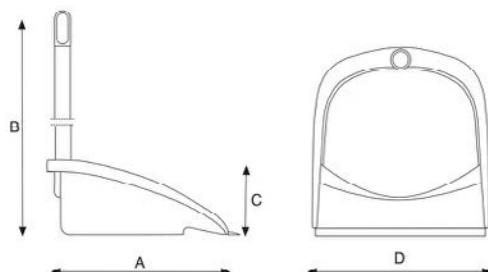
Alzaimmondizia Smart
Pelle avec manche Smart
Recogedor Smart

Package details

Sizes (cm)	Weight	Pcs	Type
75 x 31,5 x 15	2,7 Kg	N. 15	Box

Product details

Sizes (cm)
A= 25
B= 75
C= 8
D= 25



01035

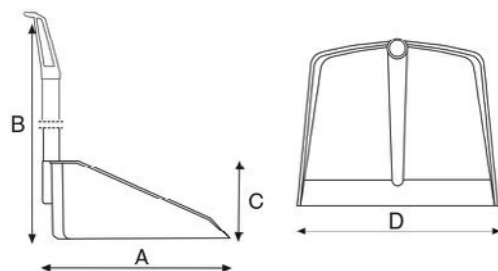
Alzaimmondizia Extra
Pelle avec manche Extra
Recogedor Extra

Package details

Sizes (cm)	Weight	Pcs	Type
62 x 31,5 x 17	4 Kg	N. 15	Box

Product details

Sizes (cm)
A= 24
B= 76,7
C= 9,8
D= 27,2



01035.01

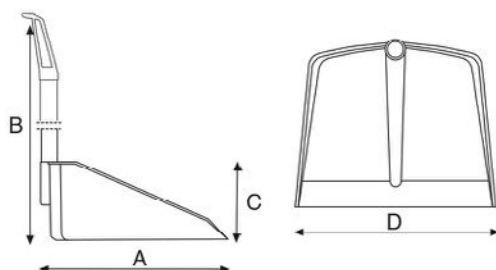
Alzaimmondizia Extra con gomma
Pelle avec manche Extra avec caout
Recogedor Extra con goma

Package details

Sizes (cm)	Weight	Pcs	Type
62 x 32,5 x 17	4,1 Kg	N. 15	Box

Product details

Sizes (cm)
A= 24
B= 76,7
C= 9,8
D= 27,2



01036

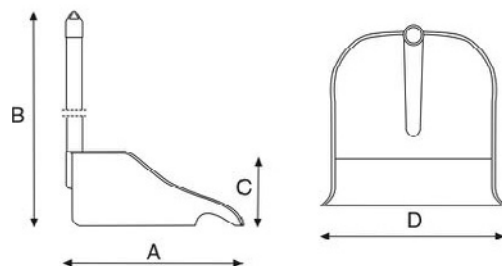
Alzaimmondizia Economica Eco Black
Long handle dust pan Eco Black
Recogedor Económico Black

Package details

Sizes (cm)	Weight	Pcs	Type
66 x 28,5 x 24	4,1 Kg	N. 12	Box

Product details

Sizes (cm)
A= 23,5
B= 75
C= 10
D= 26



01037

Alzaimmondizia con scopetta
Pelle avec manche & brosse
Recogedor con escoba

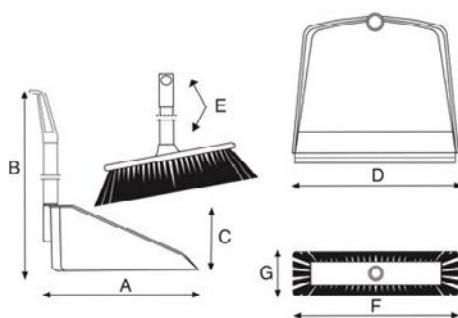
Package details

Sizes (cm)	Weight	Pcs	Type
78 x 33 x 18	4,7 Kg	N. 10	Box

Product details

Sizes (cm)

A= 24
B= 76,7
C= 9,8
D= 27,2
E= 74
F= 18,5
G= 3,3



01038

Alzaimmondizia Kyra
Pelle avec manche Kyra
Recogedor Kyra

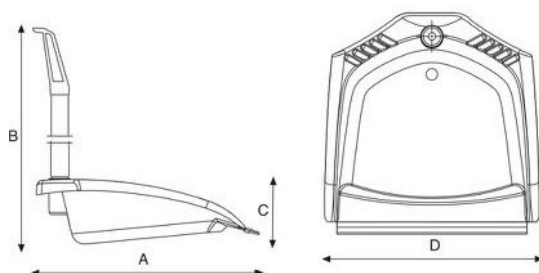
Package details

Sizes (cm)	Weight	Pcs	Type
75 x 31,5 x 15	2,8 Kg	N. 12	Box

Product details

Sizes (cm)

A= 26
B= 76
C= 8
D= 24,7



01039

Alzaimmondizia snodabile Kyra.mov
Pelle avec manche pliable Kyra.mov
Recogedor articulado Kyra.mov

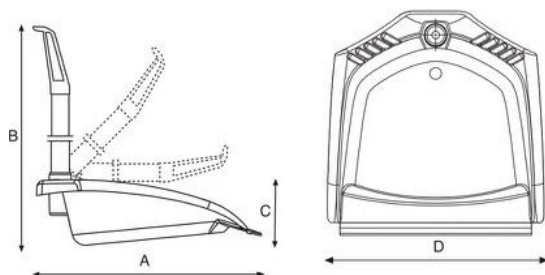
Package details

Sizes (cm)	Weight	Pcs	Type
75 x 31,5 x 15	2,9 Kg	N. 12	Box

Product details

Sizes (cm)

A= 27
B= 75
C= 98
D= 24,7



01041

Alzaimmondizia Kyra.mov con scopetta
Pelle avec manche Kyra.mov & brosse
Recogedor Kyra.mov con escoba

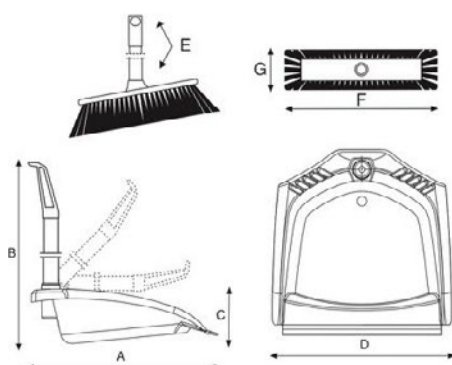
Package details

Sizes (cm)	Weight	Pcs	Type
82 x 29,5 x 19,5	4,2 Kg	N. 10	Box

Product details

Sizes (cm)

A= 27
B= 73
C= 8
D= 24,7
E= 74
F= 18,5
G= 3,3



13034

Paletta Euro
Pelle a poussiere Euro
Pala manual Euro

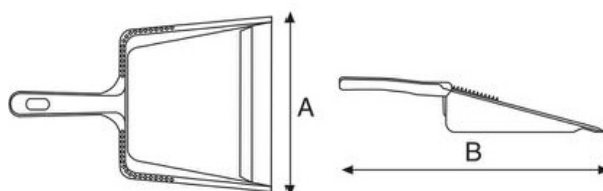


Package details

Sizes (cm)	Weight	Pcs	Type
62 x 49 x 32,5	8,5 Kg	N. 10 x 12	Box

Product details

Sizes (cm)
A= 22
B= 33,5



130341

Paletta Euro con gomma
Pelle a poussiere Euro avec caout
Pala manual Euro con goma

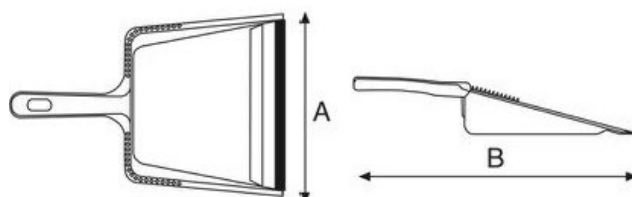


Package details

Sizes (cm)	Weight	Pcs	Type
62 x 49 x 32,5	9,2 Kg	N. 10 x 12	Box

Product details

Sizes (cm)
A= 22
B= 24,5



13037

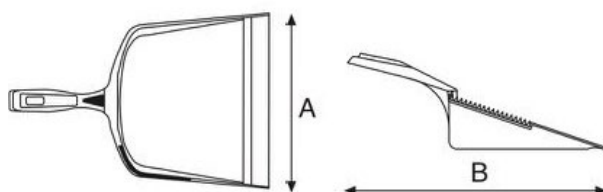
Paletta Extra
Pelle a poussiere Extra
Pala manual Extra

Package details

Sizes (cm)	Weight	Pcs	Type
63 x 49,5 x 43	13 Kg	N. 10 x 12	Box

Product details

Sizes (cm)
A= 20
B= 30



130371

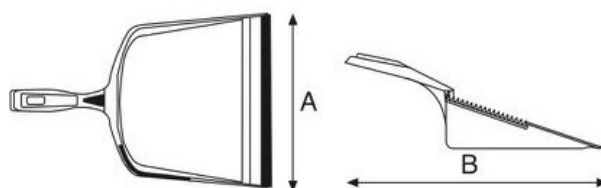
Paletta Extra con gomma
Pelle a poussiere Extra avec caout
Pala manual Extra con goma

Package details

Sizes (cm)	Weight	Pcs	Type
63 x 49,5 x 43	14,9 Kg	N. 10 x 12	Box

Product details

Sizes (cm)
A= 20
B= 31



13038

Paletta Moplen
Pelle a poussiere Moplen
Pala manual Moplen

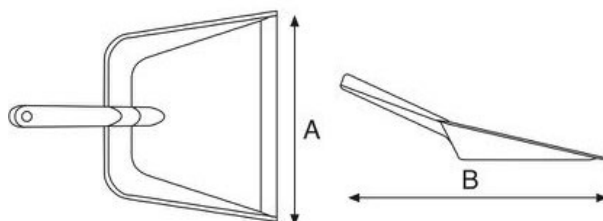


Package details

Sizes (cm)	Weight	Pcs	Type
61 x 50 x 41	9,3 Kg	N. 10 x 12	Box

Product details

Sizes (cm)
A= 24
B= 31,5



13039

Paletta economica
Pelle a poussiere Eco
Pala manual económica

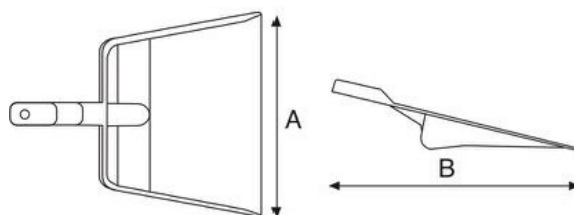


Package details

Sizes (cm)	Weight	Pcs	Type
62 x 49 x 32,5	8,6 Kg	N. 10 x 12	Box

Product details

Sizes (cm)
A= 21
B= 25






13040

Paletta Kira Clip
Pelle a poussiere Kyra Clip
Pala manual Kira Clip



Package details


 Sizes (cm)
65 x 22 x 26

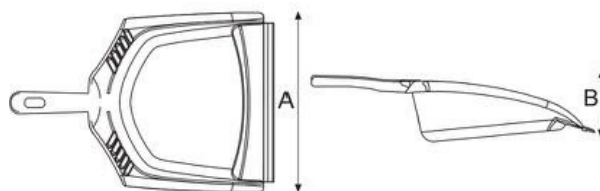
 Weight
1,9 Kg

 Pcs
N. 12

 Type
Box

Product details

 Sizes (cm)
A= 24
B= 8



17901

Scopa Europa
Balai Europa
Escoba Europa



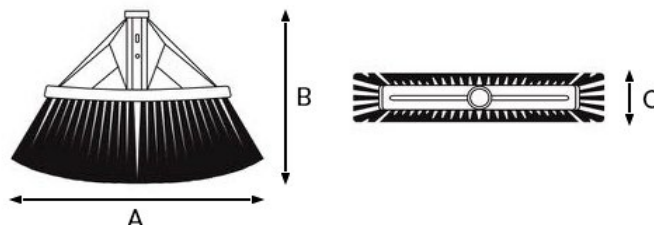
Package details

Sizes (cm)	Weight	Pcs	Type
30 x 34 x 25	3 Kg	N. 12	Box

Product details

Sizes (cm)

A= 22,5
B= 21
C= 3



17903

Scopa piatta
Balai piatta
Escoba plana



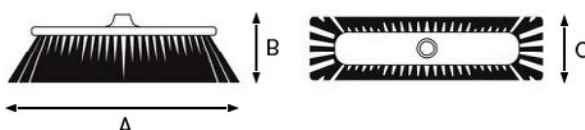
Package details

Sizes (cm)	Weight	Pcs	Type
60 x 33 x 13	3 Kg	N. 12	Box

Product details

Sizes (cm)

A= 27
B= 8
C= 4,8



17904

Scopa piatta extra
Balai piatta extra
Escoba plana extra

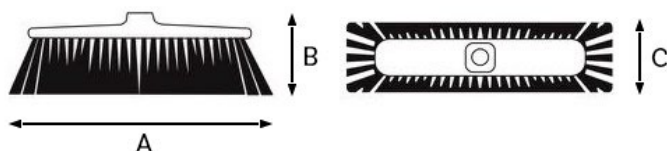


Package details

Sizes (cm)	Weight	Pcs	Type
32 x 31 x 26	3 Kg	N. 12	Box

Product details

Sizes (cm)
A= 27
B= 8
C= 4,5



17905

Scopa piatta con paraurti
Balai piatta anti-shock
Escoba plana con parachoques

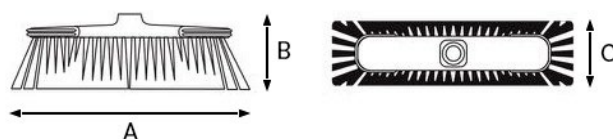


Package details

Sizes (cm)	Weight	Pcs	Type
38 x 32 x 24	4 Kg	N. 12	Box

Product details

Sizes (cm)
A= 27
B= 8,5
C= 4,8



17906

Scopa lunotto
Balai lunotto
Escoba lunotto

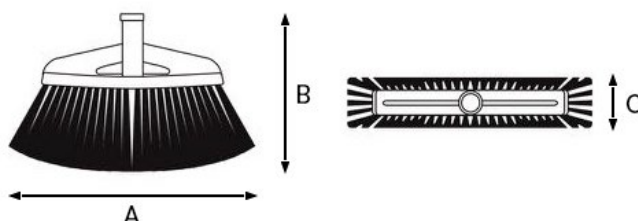
Package details

Sizes (cm)	Weight	Pcs	Type
42 x 28 x 20	3 Kg	N. 12	Box



Product details

Sizes (cm)
A= 23
B= 17
C= 3,4



17909

Scopa arcantina
Balai arcantina
Escoba arcantina

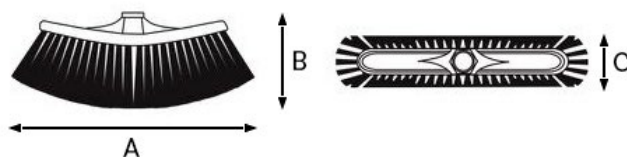
Package details

Sizes (cm)	Weight	Pcs	Type
46 x 27 x 12,5	2 Kg	N. 12	Box



Product details

Sizes (cm)
A= 23,5
B= 8
C= 4,5






17910


Scopa industriale
Balai extérieur
Escoba industrial



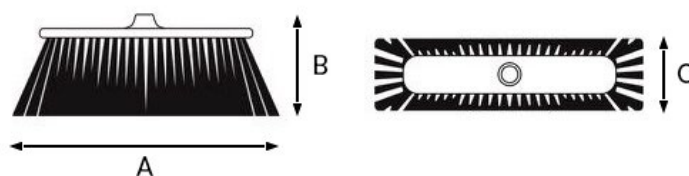
Package details

 Sizes (cm)	 Weight	 Pcs	 Type
36 x 32 x 34	3 Kg	N. 12	Box

Product details

 Sizes (cm)

A= 27
B= 9,5
C= 4,5



23032

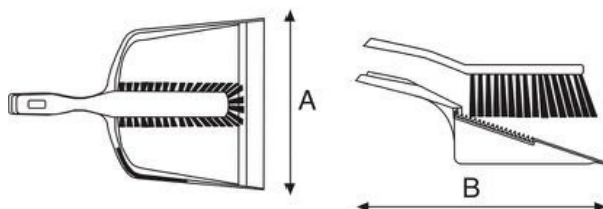
Set pulizia extra
 Pelle et balayette extra
 Set de limpieza extra

Package details

Sizes (cm)	Weight	Pcs	Type
51 x 36 x 31,5	5,6 Kg	N. 24	Box

Product details

Sizes (cm)
A= 20
B= 30



230321

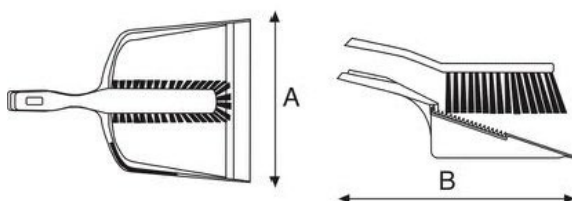
Set pulizia extra con gomma
 Pelle et balayette extra avec extra caoutchouc
 Set de limpieza extra con goma

Package details

Sizes (cm)	Weight	Pcs	Type
51 x 36 x 31,5	5,9 Kg	N. 24	Box

Product details

Sizes (cm)
A= 20
B= 31



23033

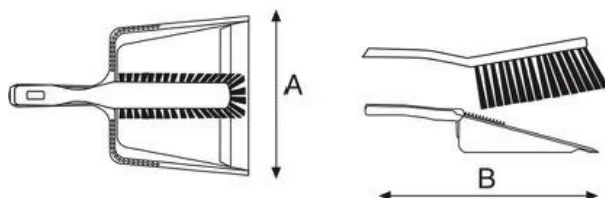
Set pulizia euro
Pelle et balayette euro
Set de limpeza euro

Package details

Sizes (cm)	Weight	Pcs	Type
44,5 x 37 x 26,5	4,4 Kg	N. 24	Box

Product details

Sizes (cm)
A= 22
B= 33,5



230331

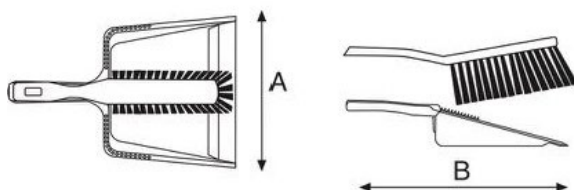
Set pulizia euro con gomma
Pelle et balayette euro avec extra caout
Set de limpeza euro con goma

Package details

Sizes (cm)	Weight	Pcs	Type
44,5 x 37 x 26,5	4,6 Kg	N. 24	Box

Product details

Sizes (cm)
A= 20
B= 31



11057

Lavavetro
Lavavitre
Limpiacristales

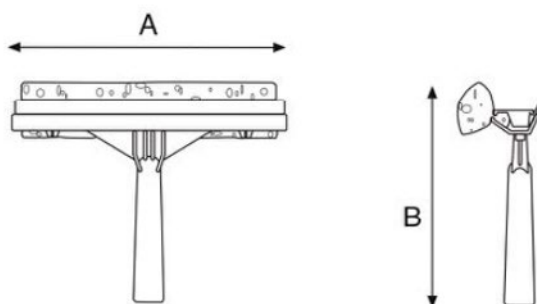


Package details

Sizes (cm)	Weight	Pcs	Type
50,5 x 27 x 22	2,2 Kg	N. 24	Box

Product details

Sizes (cm)
A= 20
B= 18,5



11057.01

Lavavetro con manico in plastica
Lavavitre avec manche plastique
Limpiacristales con mango de plástico

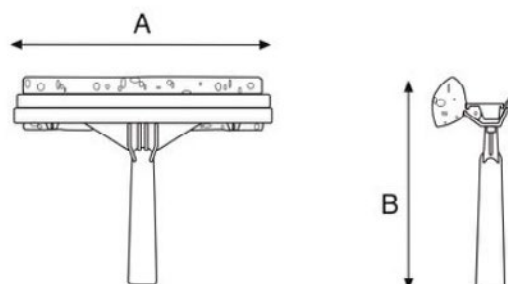


Package details

Sizes (cm)	Weight	Pcs	Type
54 x 27 x 23,5	2,9 Kg	N. 24	Box

Product details

Sizes (cm)
A= 20
B= 57



12014

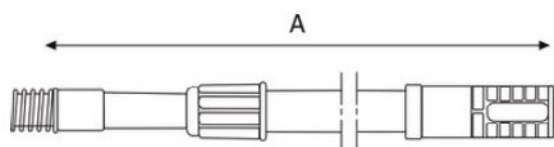
Manico telescopico
Manche telescopique
Palo telescópico

Package details

Sizes (cm)	Weight	Pcs	Type
90 x 12 x 10	5,8 Kg	N. 24	Polybag

Product details

Sizes (cm)
A= 90 / 150



12015.02

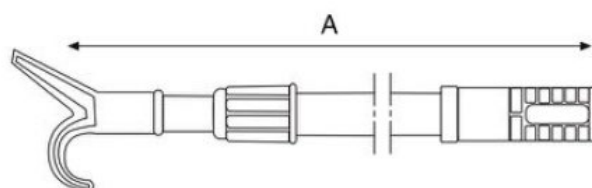
Asta appendiabito telescopica
Perche telescopique
Palo telescópico para ropa

Package details

Sizes (cm)	Weight	Pcs	Type
90 x 12 x 10	5,8 Kg	N. 10	Polybag

Product details

Sizes (cm)
A= 90 / 150



12254

Manico metallico 120 cm/0,28

Manche métallique 120 cm/0,28

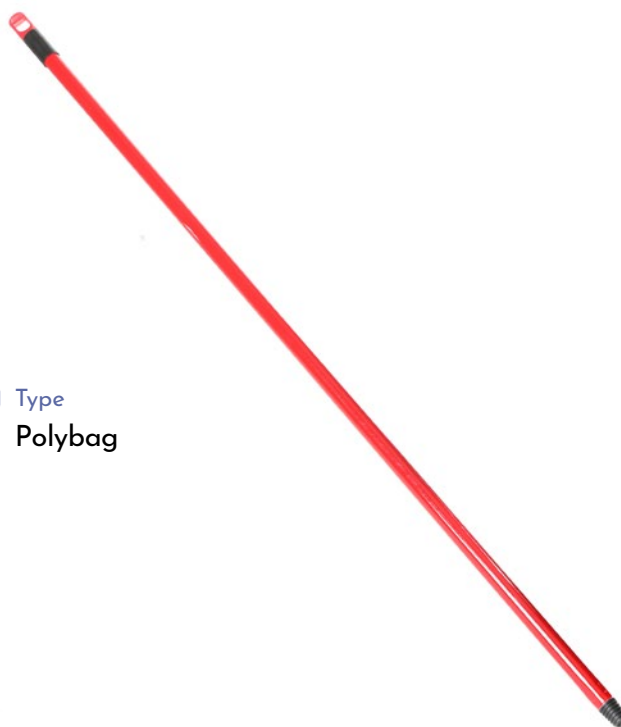
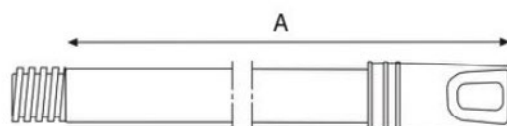
Palo metálico 120 cm/0,28

Package details

Sizes (cm)	Weight	Pcs	Type
120 x 11 x 10	4,7 Kg	N. 25	Polybag

Product details

Sizes (cm)
A= 120



12255

Manico metallico 130 cm/0,34

Manche métallique 130 cm/0,34

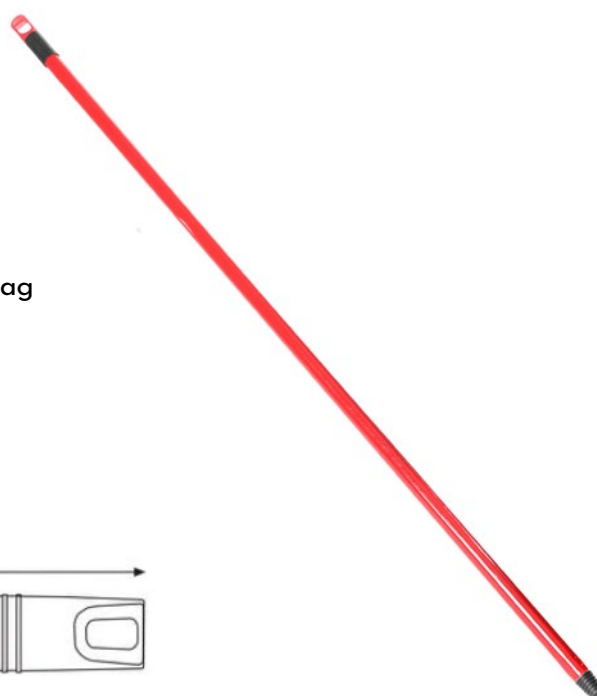
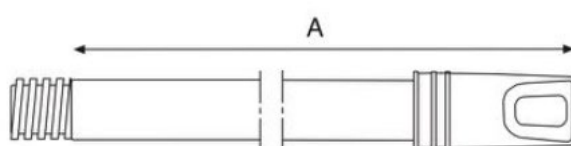
Palo metálico 130 cm/0,34

Package details

Sizes (cm)	Weight	Pcs	Type
130 x 11 x 10	6,2 Kg	N. 25	Polybag

Product details

Sizes (cm)
A= 130



19251

Mop sintetico "50 s"
Frangé synthétique "50 s"
Trapeador sintético "50 s"

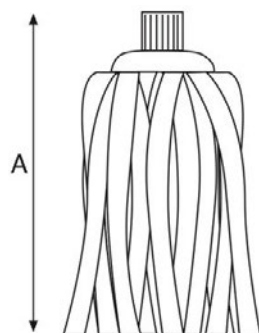


Package details

Sizes (cm)	Weight	Pcs	Type
32 x 50 x 45	5,6 Kg	N. 50	Box

Product details

Sizes (cm)
A= 26



19253

Mop cotone "120 gr bianco"
Frangé coton "120 gr blanc"
Trapeador de algodón "120 gr blanc"

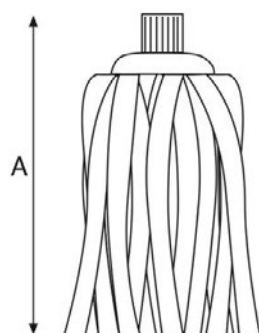


Package details

Sizes (cm)	Weight	Pcs	Type
27 x 38 x 45	6,5 Kg	N. 50	Box

Product details

Sizes (cm)
A= 23,5



19258

Mop cotone "200 gr bianco"
Frangé coton "200 gr blanc"
Trapeador de algodón "200 gr blanco"

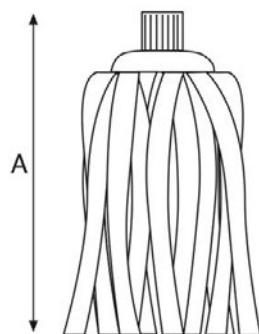


Package details

Sizes (cm)	Weight	Pcs	Type
30 x 54 x 46	12 Kg	N. 50	Box

Product details

Sizes (cm)
A= 28



19265

Eco Mop 160 gr
Frangé Eco 160 gr
Trapeador Eco 160 gr

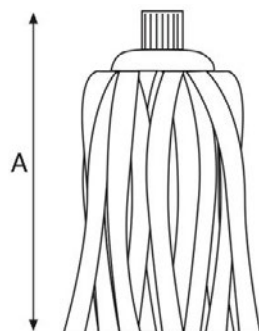


Package details

Sizes (cm)	Weight	Pcs	Type
38 x 30 x 42	4,5 Kg	N. 24	Box

Product details

Sizes (cm)
A= 30



19266

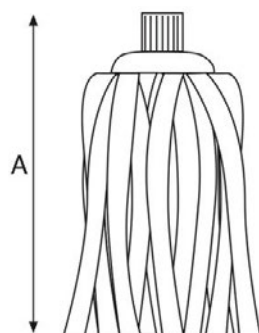
Mop Bi-material 160 gr
Mop Bi-material 160 gr
Trapeador Bi-material 160 gr

Package details

Sizes (cm)	Weight	Pcs	Type
40 x 30 x 27	4,5 Kg	N. 24	Box

Product details

Sizes (cm)
A= 20



19267

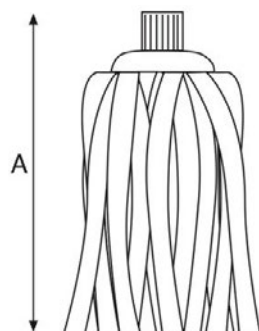
Mop filo continuo 200 gr
Frang Fil Continuo 200 gr
Trapeador hilo continuo 200 gr

Package details

Sizes (cm)	Weight	Pcs	Type
45 x 26 x 37	11 Kg	N. 50	Box

Product details

Sizes (cm)
A= 25





20240

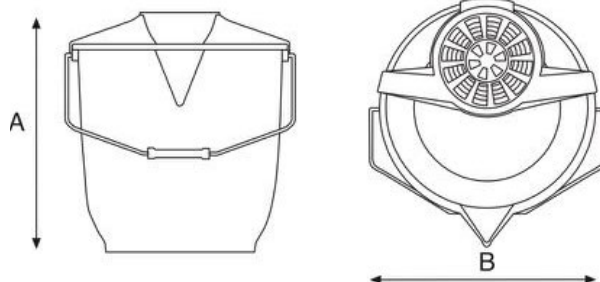
Secchio & Strizzatore 12 lt
Seau avec essourer 12 lt
Cubo y escurridor 12 lt

Package details

 Type
Separate packing

Product details

Sizes (cm)
A= 32,5
B= 29,5



20250

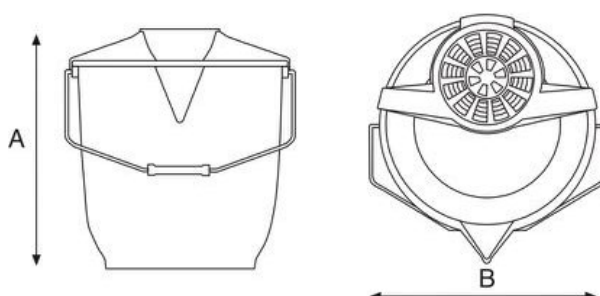
Secchio & Strizzatore 16 lt
Seau avec essourer 16 lt
Cubo y escurridor 16 lt

Package details

 Type
Separate packing

Product details

Sizes (cm)
A= 32,5
B= 29,5



20260

Secchio & Strizzatore rettangolare 15 lt
Seau rectangulaire avec essourer 15 lt
Cubo y escurridor rectangular 15 lt

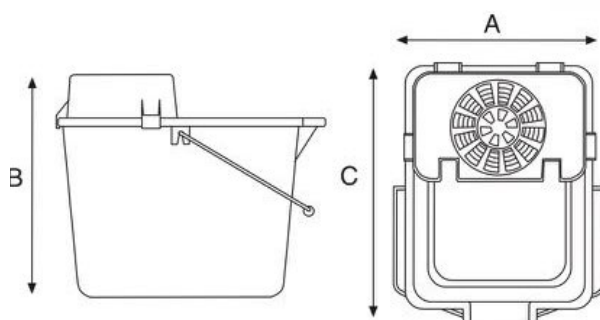


Package details

Sizes (cm)	Weight	Pcs	Type
56 x 42,5 x 71	17,8 Kg	N. 24	Box

Product details

Sizes (cm)
A= 25,5
B= 30,5
C= 33,5



20261

Secchio & Strizzatore Kouros#2
Seau avec essourer Kouros#2
Cubo y escurridor Kouros#2

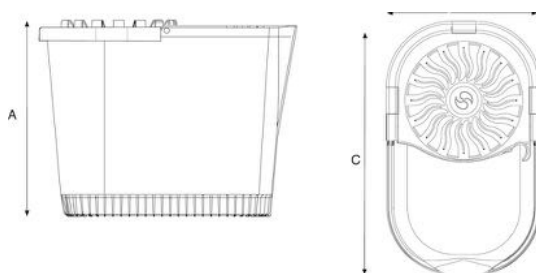


Package details

Sizes (cm)	Weight	Pcs	Type
50 x 39,5 x 42,5	8,3 Kg	N. 12	Box

Product details

Sizes (cm)
A= 28
B= 22
C= 38



20262

Set Kouros #3
Secchio 15 lt - separatore acque - strizzatore
Seau 15 lt - separateur de l'eau - essoueur
Cubo 15 lt - separador de agua - escurridor



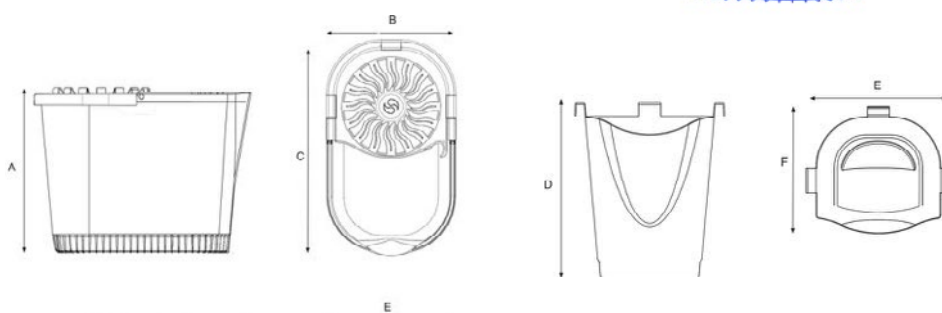
Package details

Sizes (cm)	Weight	Pcs	Type
61 x 26 x 59	10,8 Kg	N. 12,5	Box

Product details

Sizes (cm)

A= 28
B= 22
C= 38
D= 275
E= 18
F= 22



20270

Secchio Kiko 10 lt e Strizzatore
Seau Kiko 10 lt et essoueur
Cubo y escurridor Kiko 10 lt



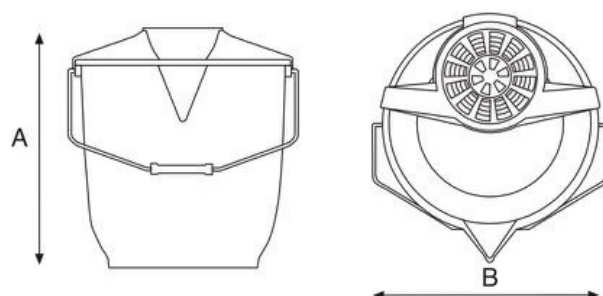
Package details

Sizes (cm)	Weight	Pcs	Type
30,5 x 30,5 x 69,5	5,04 Kg	N. 12	Box

Product details

Sizes (cm)

A= 27
B= 29



20307

Strizzatore rotondo
Essouer ronde
Eскурridor redondo



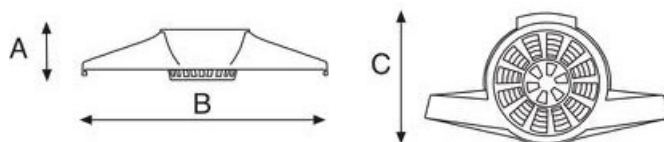
Package details

Sizes (cm)	Weight	Pcs	Type
44 x 21 x 77	6,9 Kg	N. 60	Polybag

Product details

Sizes (cm)

A= 12
B= 29,5
C= 15



20314

Strizzatore rettangolare
Essouer rectangulaire
Eскурridor rectangular



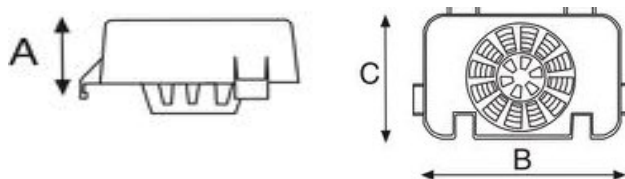
Package details

Sizes (cm)	Weight	Pcs	Type
56 x 71 x 42	12,2 Kg	N. 80	Box

Product details

Sizes (cm)

A= 56
B= 42
C= 71



24020

Spazzola extra
Balayette extra
Cepillo extra



Package details

Sizes (cm)	Weight	Pcs	Type
52 x 37 x 21	6 Kg	N. 48	Box

Product details

Sizes (cm)
A= 6
B= 29



24027

Spazzola bucato
Brosse a laver plastique
Cepillo de lavandería

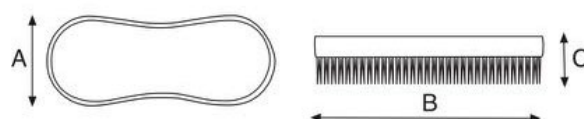


Package details

Sizes (cm)	Weight	Pcs	Type
66 x 32 x 34	14 Kg	N. 20x12	Box

Product details

Sizes (cm)
A= 6,5
B= 16,5
C= 3,5



24926

Spazzola ferrino espanso
Brosse a laver ovale
Cepillo de lavandería ovalado



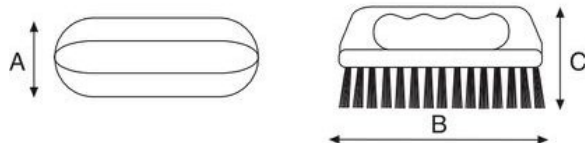
Package details

Sizes (cm)	Weight	Pcs	Type
40 x 31 x 13	3,7 Kg	N. 24	Box

Product details

Sizes (cm)

A= 6,5
B= 16
C= 7



24928.03

Spazzola ferrino extra
Brosse a laver extra
Cepillo de lavandería extra



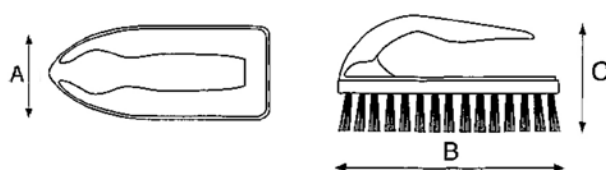
Package details

Sizes (cm)	Weight	Pcs	Type
38 x 29 x 13	3,4 Kg	N. 24	Box

Product details

Sizes (cm)

A= 6
B= 15,5
C= 7,5



10023

Frattazzo "punzonato"
Balais brosse "punzonato"
Cepillo "punzonato"

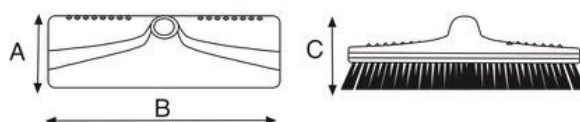


Package details

Sizes (cm)	Weight	Pcs	Type
45 x 25 x 22	5,6 Kg	N. 24	Box

Product details

Sizes (cm)
A= 7,5
B= 23,5
C= 7



10922

Frattazzo espanso
Scrubbing brush foamed
Cepillo expandido

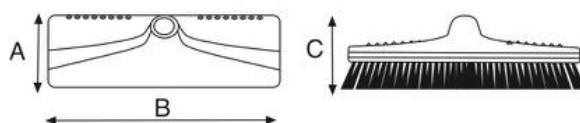


Package details

Sizes (cm)	Weight	Pcs	Type
44 x 25 x 22	5,1 Kg	N. 24	Box

Product details

Sizes (cm)
A= 7
B= 24,5
C= 7



10923

Frattazzo Twister
Balai Brosse Twister
Cepillo Twister



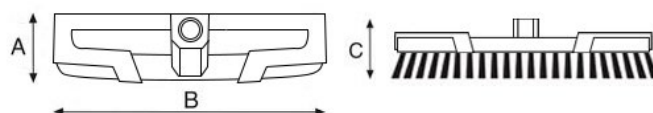
Package details

Sizes (cm)	Weight	Pcs	Type
70 x 31 x 13	3,1 Kg	N. 18	Box

Product details

Sizes (cm)

A= 6
B= 25,5
C= 3,5



10924

Frattazzo extra
Balais brosse extra
Cepillo extra



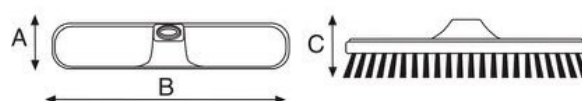
Package details

Sizes (cm)	Weight	Pcs	Type
38 x 30,5 x 13,5	3,1 Kg	N. 12	Box

Product details

Sizes (cm)

A= 5,5
B= 27,5
C= 7,5



17950

Ragnatore
 Brosse pour toile araignee
 Removedor de telarañas

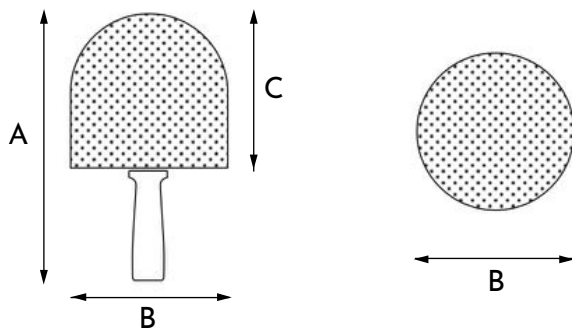
Package details

Sizes (cm)	Weight	Pcs	Type
62 x 29 x 31	2,5 Kg	N. 12	Box



Product details

Sizes (cm)
A= 24
B= 19
C= 19



CUCINA
CUISINE
COCINA

02



Copri-vivande | Couvre mets | Cubierta de comida

Utensili da cucina | Ustensiles de cuisine | Utensilios de cocina

UTILPLASTIC

08420

Coprivivande "Kover"
 Couvre mets "Kover"
 Cubierta de comida "Kover"




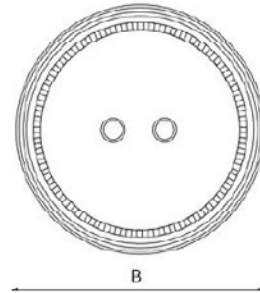
Package details

 Sizes (cm) 55 x 43 x 28,5	 Weight 4,6 Kg	 Pcs N. 48	 Type Box
---	---	---	--



Product details

 Sizes (cm) A= 6,8 B= 26
--



08432


Scolapiatti con vassoio
Egouttoir a vasseille avec plateau
Escurreplatos con bandeja

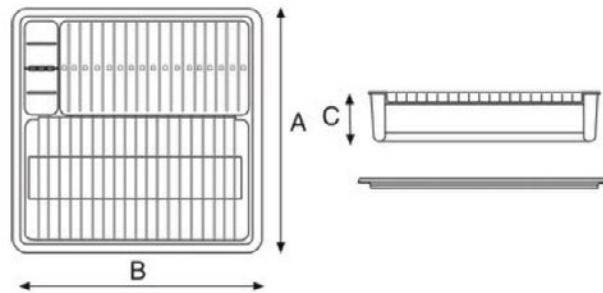


Package details

 Sizes (cm)	 Weight	 Pcs	 Type
76 x 39 x 47	9 Kg	N. 12	Box

Product details

 Sizes (cm)
A= 37,5
B= 38
C = 8



08440


Portaposate
Porte couvert
Porta cubiertos

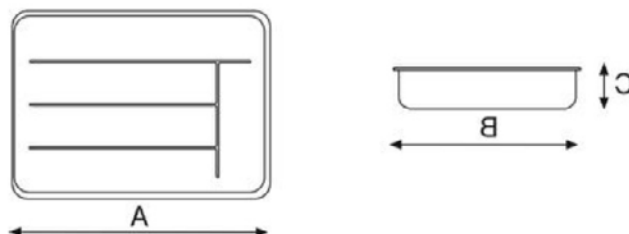


Package details

 Sizes (cm)	 Weight	 Pcs	 Type
46 x 31,5 x 16	3,7 Kg	N. 12	Box

Product details

 Sizes (cm)
A= 32
B= 23
C= 5



08452


Scolaposate
Egouttoir a couvert
Eскурridor de cubiertos



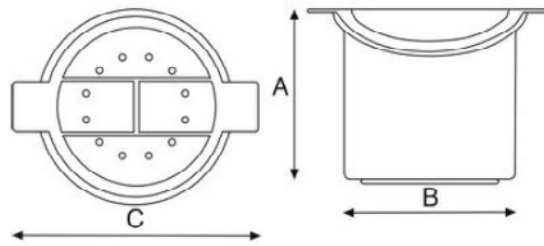
Package details

 Sizes (cm)	 Weight	 Pcs	 Type
55,5 x 39 x 41	9,2 Kg	N. 36	Box

Product details

 Sizes (cm)

A= 12
B= 12
C= 16,8



08460


Colariso con manico 20
Passoire avec manche 20
Colariso con asa 20



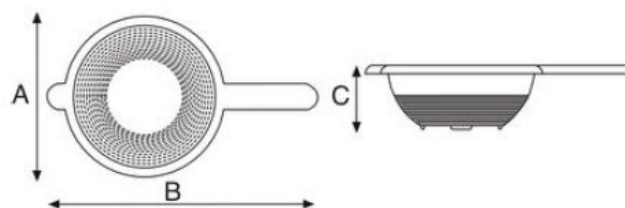
Package details

 Sizes (cm)	 Weight	 Pcs	 Type
49 x 27 x 39,5	4,8 Kg	N. 48	Box

Product details

 Sizes (cm)

A= 21
B= 35,8
C= 8,5





08461


Colapasta 26
Passoire 26
Colador 26

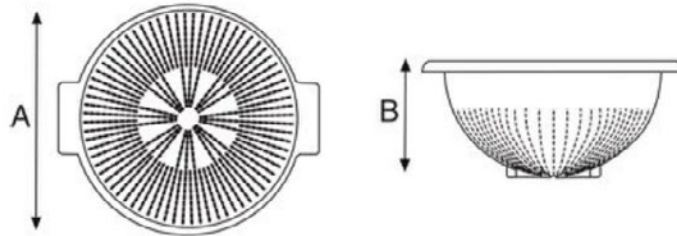


Package details

 Sizes (cm)	 Weight	 Pcs	 Type
56 x 28 x 47	8 Kg	N. 48	Box

Product details

 Sizes (cm)
A= 26
B= 13



BAGNO E LAVANDERIA
SALLE DE BAIN ET BUANDERIE
BAÑO Y LAVADERO

03



Bacinelle polipropilene | **Bassine pp** | Lavabos de polipropileno

Catinelle | **Cuvettes** | Cuencas

Catini | **Cuvettes** | Cuencas

Secchi pe | **Seaux pe** | Baldes pe

Secchi pp | **Seaux pp** | Baldes pp

Cesta portabiancheria | **Panier a linge** | Cesto de la ropa

Portascopini WC | **Balais pour WC** | Escobillero

02082

Bacinella Rotonda 32 7 lt
Bassine ronde 32 7 lt
Lavabo redondo 32 7 lt

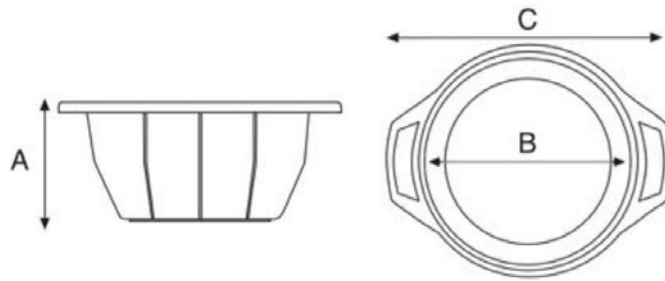


Package details

Sizes (cm)	Weight	Pcs	Type
38,5 x 32 x 63	9,7 Kg	N. 30	Polybag

Product details

Sizes (cm)
A= 160
B= 32
C= 38,5



02086

Bacinella Rettangolare 8 lt
Bassine rectangulaire 8 lt
Lavabo rectangular 8 lt

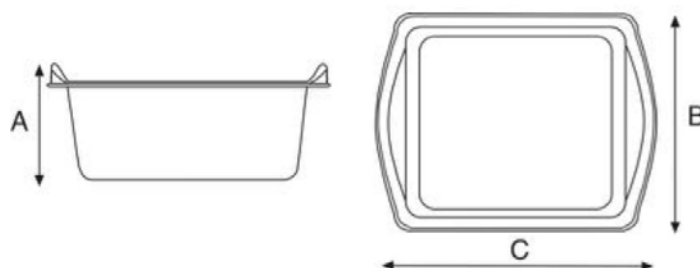


Package details

Sizes (cm)	Weight	Pcs	Type
39 x 30 x 63	9,8 Kg	N. 25	Polybag

Product details

Sizes (cm)
A= 15
B= 29,2
C= 37



02087

Bacinella Quadrata 8 lt
 Bassine carree 8 lt
 Lavabo quadrado 8 lt

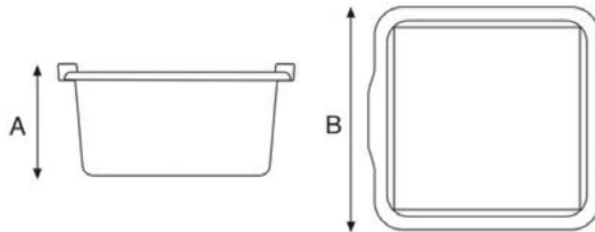


Package details

📏 Sizes (cm) 33,5 x 67 x 33
 ⚖️ Weight 9 Kg
 # Pcs N. 25
 📦 Type Polybag

Product details

📏 Sizes (cm)
 A= 16
 B= 32



02801

Bacinella Rotonda 35 7 lt
 Bassine ronde 35 7 lt
 Lavabo redondo 35 7 lt

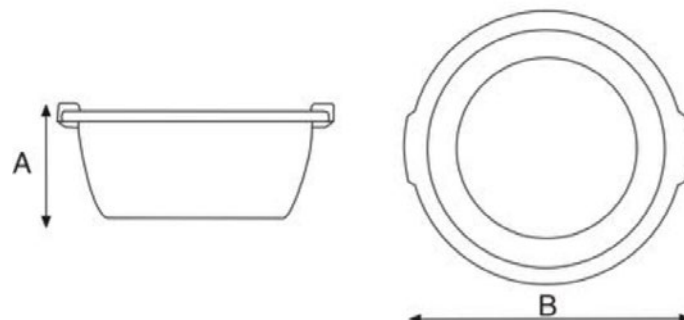


Package details

📏 Sizes (cm) 37 x 37 x 69
 ⚖️ Weight 6,2 Kg
 # Pcs N. 25
 📦 Type Polybag

Product details

📏 Sizes (cm)
 A= 16
 B= 36,5



02804


Bacinella Rotonda 40 12 lt
Bassine ronde 40 12 lt
Lavabo redondo 40 12 lt

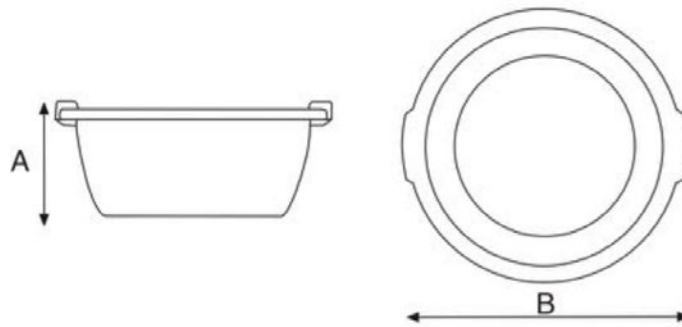


Package details

 Sizes (cm)	 Weight	 Pcs	 Type
42 x 42 x 72	10 Kg	N. 25	Polybag

Product details

 Sizes (cm)
A= 18
B= 40



02805


Bacinella Rotonda 45 18 lt
Bassine ronde 45 18 lt
Lavabo redondo 45 18 lt

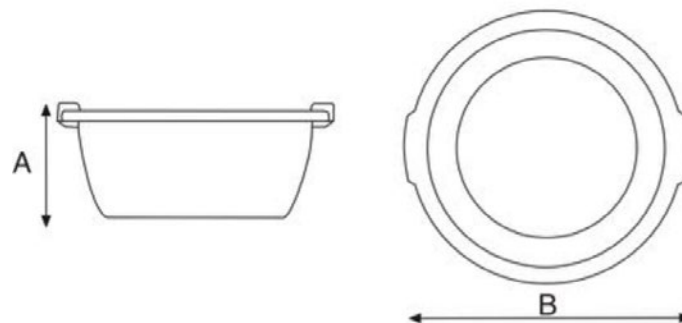


Package details

 Sizes (cm)	 Weight	 Pcs	 Type
46 x 46,5 x 70	12,5 Kg	N. 20	Box

Product details

 Sizes (cm)
A= 21,7
B= 45




03120


Bacinella Rotonda 30 6 lt
 Bassine ronde 30 6 lt
 Lavabo redondo 30 6 lt

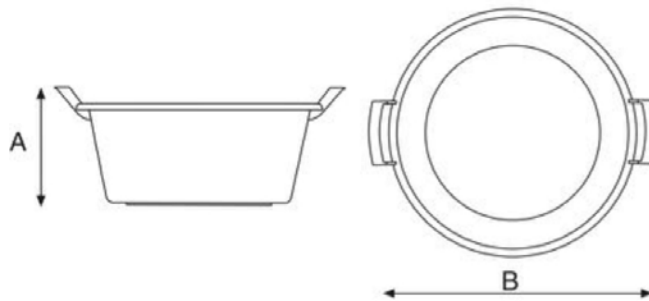


Package details

 Sizes (cm)	 Weight	 Pcs	 Type
37 x 37 x 59	7,7 Kg	N. 30	Type assembled

Product details

 Sizes (cm)
A= 13,5
B= 30





03121


Bacinella Rotonda 35 7 lt
 Bassine ronde 35 7 lt
 Lavabo redondo 35 7 lt

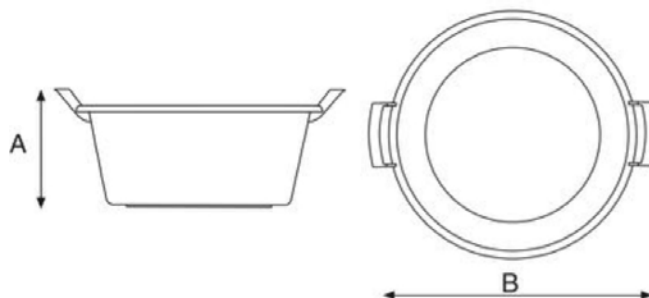


Package details

 Sizes (cm)	 Weight	 Pcs	 Type
37,5 x 37,5 x 62	11,5 Kg	N. 30	Type assembled

Product details

 Sizes (cm)
A= 16,5
B= 35



03122

Bacinella Rotonda 40 12 lt
 Bassine ronde 40 12 lt
 Lavabo redondo 40 12 lt

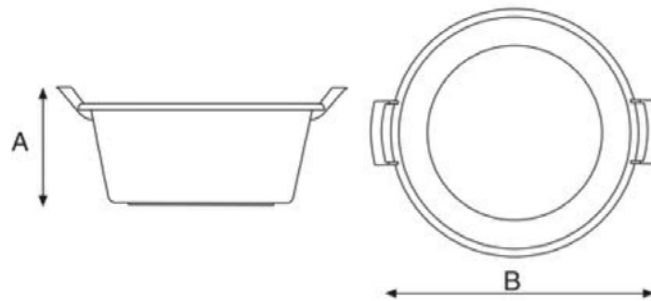


Package details

Sizes (cm)	Weight	Pcs	Type
45,5 x 45,5 x 58	9,3 Kg	N. 20	Type assembled

Product details

Sizes (cm)
A= 19,5
B= 40



03123

Bacinella Rotonda 45 18 lt
 Bassine ronde 45 18 lt
 Lavabo redondo 45 18 lt

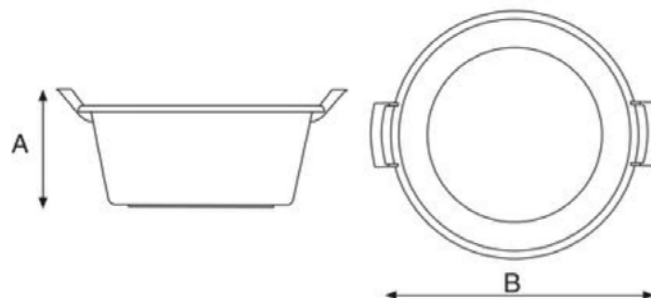


Package details

Sizes (cm)	Weight	Pcs	Type
51 x 51 x 39	6,6 Kg	N. 10	Type assembled

Product details

Sizes (cm)
A= 22
B= 45



03124


Bacinella Rotonda 50 24 lt
Bassine ronde 50 24 lt
Lavabo redondo 50 24 lt

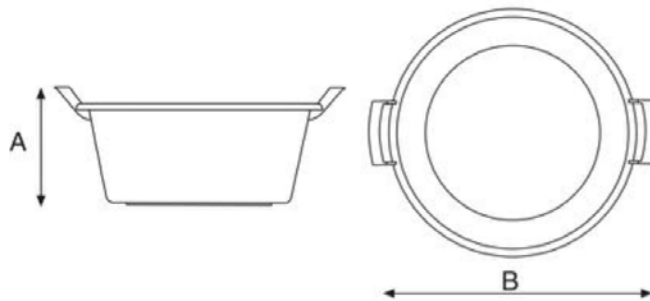


Package details

 Sizes (cm)	 Weight	 Pcs	 Type
55 x 55 x 59	9,6 Kg	N. 10	Type assembled

Product details

 Sizes (cm)
A= 24,5
B= 50



04110


Catinella 22 1 lt
Cuvette 22 1 lt
Cuenca 22 1 lt

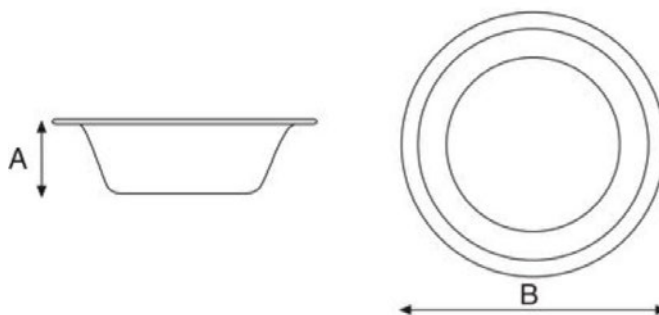


Package details

 Sizes (cm)	 Weight	 Pcs	 Type
44 x 23 x 45	14,3 Kg	N. 200	Box

Product details

 Sizes (cm)
A= 6,5
B= 22



04111


Catinella 24 1,5 lt
Cuvette 24 1,5 lt
Cuenca 24 1,5 lt

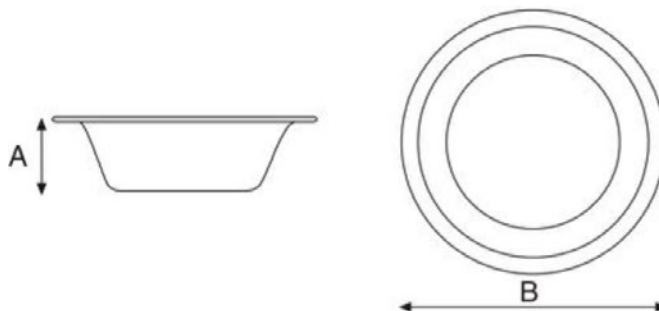


Package details

 Sizes (cm)	 Weight	 Pcs	 Type
48,5 x 24,5 x 37	12,1 Kg	N. 150	Box

Product details

 Sizes (cm)
A= 7
B= 24



04112


Catinella 26 2 lt
Cuvette 26 2 lt
Cuenca 26 2 lt

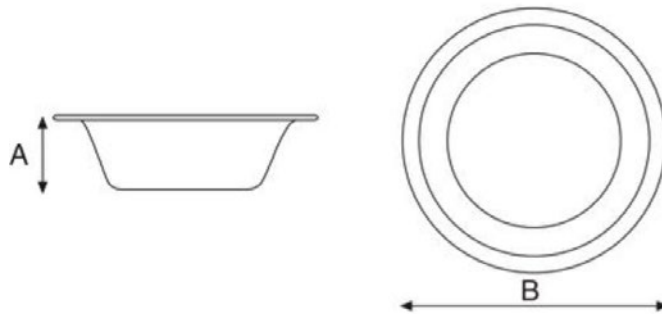


Package details

 Sizes (cm)	 Weight	 Pcs	 Type
52 x 27 x 38	14,5 Kg	N. 150	Box

Product details

 Sizes (cm)
A= 7,5
B= 26



04113


Catinella 28 2,5 lt
Cuvette 28 2,5 lt
Cuvette 28 2,5 lt

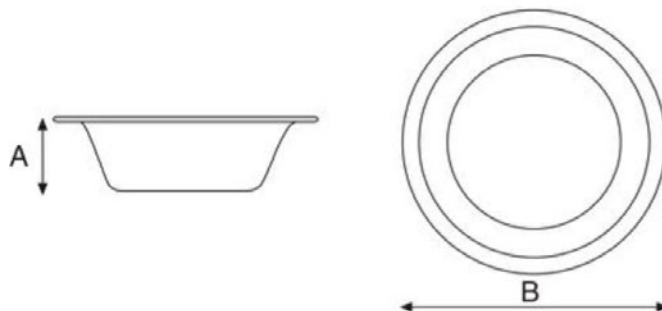


Package details

 Sizes (cm)	 Weight	 Pcs	 Type
57 x 29,5 x 36,5	17,9 Kg	N. 150	Box

Product details

 Sizes (cm)
A= 8
B= 28



04114


Catinella 30 3 lt
Cuvette 30 3 lt
Cuenca 30 3 lt

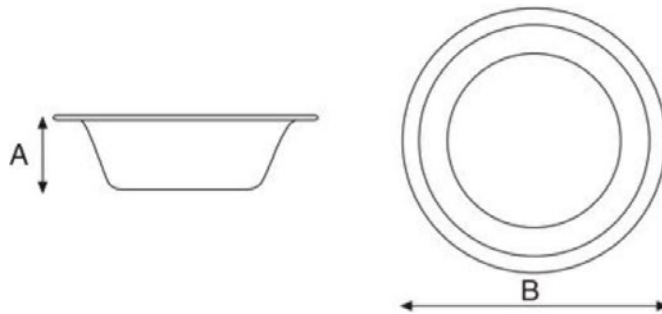


Package details

 Sizes (cm)	 Weight	 Pcs	 Type
61 x 30,5 x 29	14 Kg	N. 100	Box

Product details

 Sizes (cm)
A= 8,5
B= 30



04115


Catinella 32 3,5 lt
Cuvette 32 3,5 lt
Cuenca 32 3,5 lt

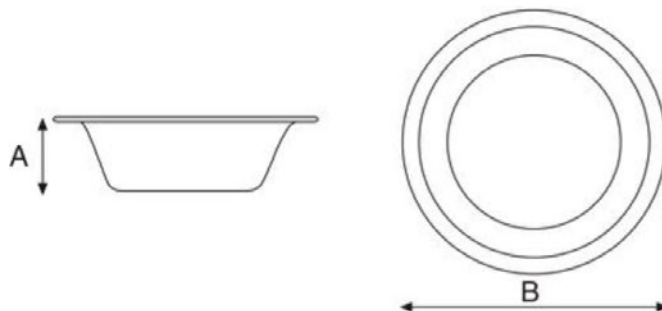


Package details

 Sizes (cm)	 Weight	 Pcs	 Type
33 x 33 x 33	8,7 Kg	N. 50	Box

Product details

 Sizes (cm)
A= 9
B= 32



04116


Catinella 34 4 lt
Cuvette 34 4 lt
Cuenca 34 4 lt

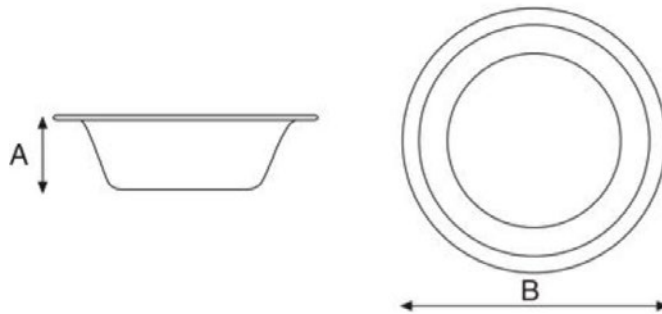


Package details

 Sizes (cm)	 Weight	 Pcs	 Type
34,5 x 34,5 x 33	10 Kg	N. 50	Box

Product details

 Sizes (cm)
A= 9,5
B= 34



04117


Catinella 36 6 lt
Cuvette 36 6 lt
Cuenca 36 6 lt

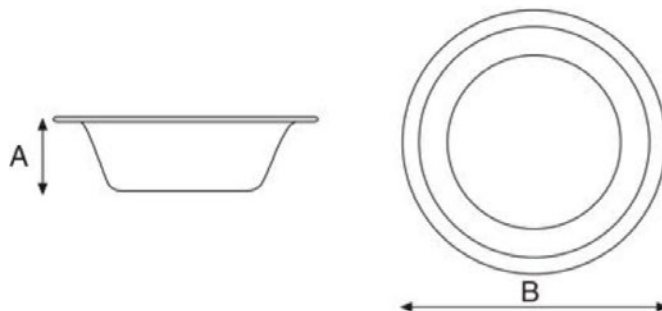


Package details

 Sizes (cm)	 Weight	 Pcs	 Type
37 x 37 x 33	12,1 Kg	N. 50	Box

Product details

 Sizes (cm)
A= 10
B= 36



05140


Catino 28 4 lt
Cuvette 28 4 lt
Cuenca 28 4 lt

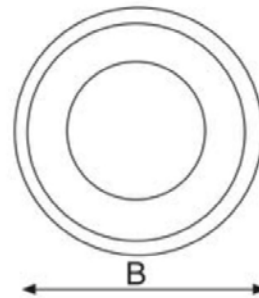


Package details

 Sizes (cm)	 Weight	 Pcs	 Type
27,5 x 27,5 x 45	4,2 Kg	N. 24	Box

Product details

 Sizes (cm)
A= 11,5
B= 28



05142


Catino 32 6 lt
Cuvette 32 6 lt
Cuenca 32 6 lt

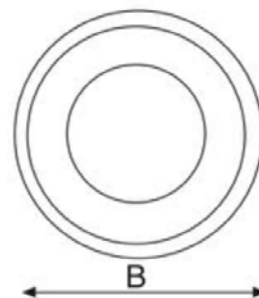


Package details

 Sizes (cm)	 Weight	 Pcs	 Type
32,5 x 32,5 x 51	6,3 Kg	N. 24	Box

Product details

 Sizes (cm)
A= 14
B= 32



05144


Catino 36 10 lt
Cuvette 36 10 lt
Cuenca 36 10 lt

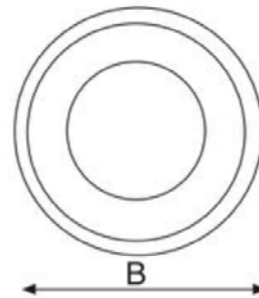


Package details

 Sizes (cm)	 Weight	 Pcs	 Type
38 x 38 x 54	8,5 Kg	N. 24	Box

Product details

 Sizes (cm)
A= 16,5
B= 36



18074


Secchio pe 9 lt
Seau pe 9 lt
Balde pe 9 lt

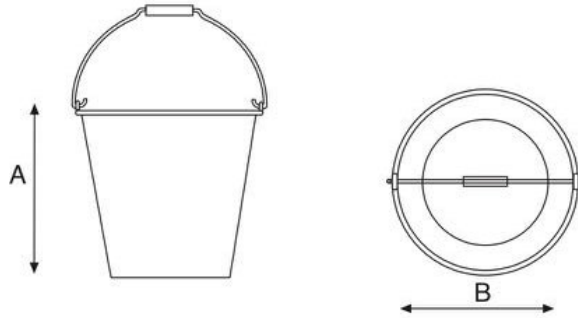


Package details

 Sizes (cm) 27 x 27 x 75
 Weight 11,9 Kg
 Pcs N. 30
 Type Polybag

Product details

 Sizes (cm)
 A= 27,5
 B= 27



18075


Secchio pe 12 lt
Seau pe 12 lt
Balde pe 12 lt

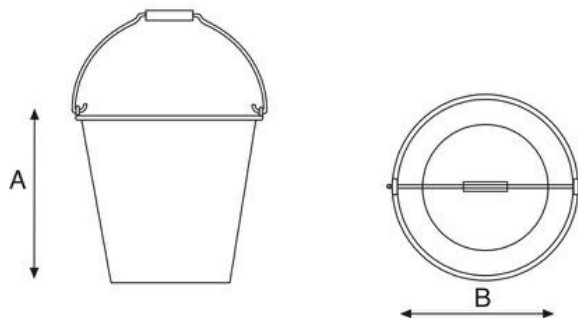


Package details

 Sizes (cm) 32 x 32 x 78
 Weight 15 Kg
 Pcs N. 30
 Type Polybag

Product details

 Sizes (cm)
 A= 30
 B= 33



18076


Secchio pe 15 lt
Seau pe 15 lt
Balde pe 15 lt

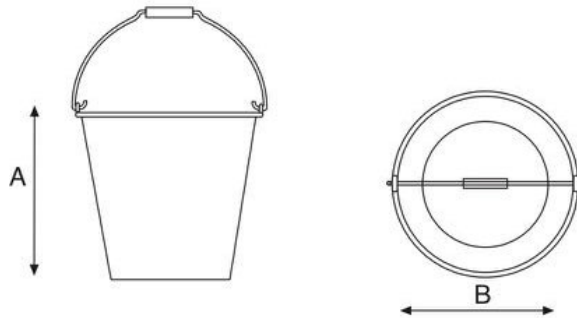


Package details

 Sizes (cm)	 Weight	 Pcs	 Type
33 x 33 x 74	12,3 Kg	N. 20	Polybag

Product details

 Sizes (cm)
A= 32,5
B= 35,5



18077


Secchio pe 7 lt
Seau pe 7 lt
Balde pe 7 lt

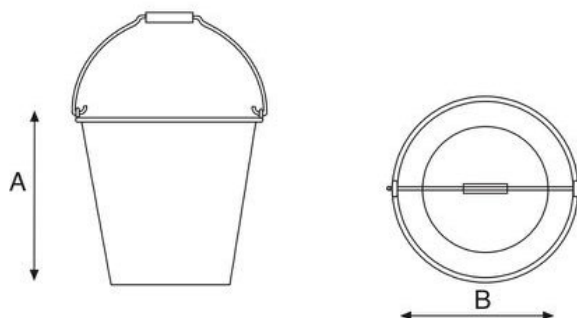


Package details

 Sizes (cm)	 Weight	 Pcs	 Type
25 x 25 x 10	13,8 Kg	N. 50	Polybag

Product details

 Sizes (cm)
A= 24
B= 24



18078

Secchio pe con becco 12 lt
Seau pe avec bec 12 lt
Balde pe con pico 12 lt

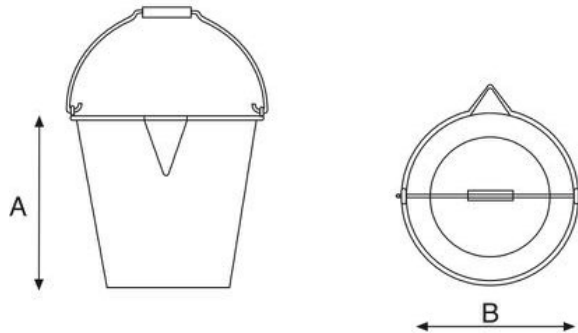


Package details

Sizes (cm) 32 x 87 x 32
 Weight 15,3 Kg
 Pcs N. 30
 Type Polybag

Product details

Sizes (cm)
 A= 30
 B= 33



18079

Secchio pe con becco 15 lt
Seau pe avec bec 15 lt
Balde pe con pico 15 lt

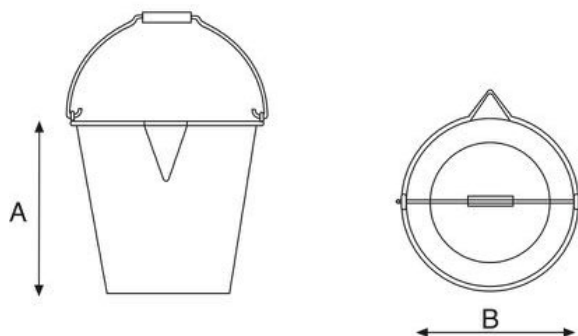


Package details

Sizes (cm) 34 x 77 x 34
 Weight 12,3 Kg
 Pcs N. 20
 Type Polybag

Product details

Sizes (cm)
 A= 32,5
 B= 35,5



18080


Secchio Kiko 10 lt
Seau Kiko 10 lt
Balde Kiko 10 lt

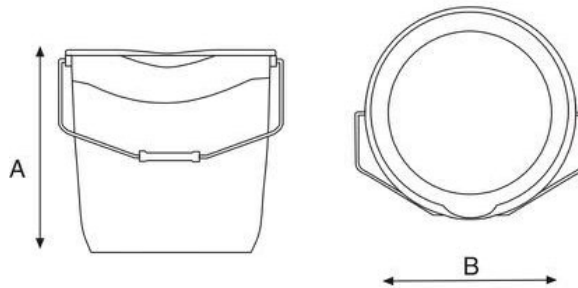


Package details

 Sizes (cm)	 Weight	 Pcs	 Type
30,5 x 84 x 30,5	8,2 Kg	N. 24	Box

Product details

 Sizes (cm)
A= 25
B= 29



18261


Secchio rettangolare 14 lt
Seau rectangulaire 14 lt
Balde rectangular 14 lt

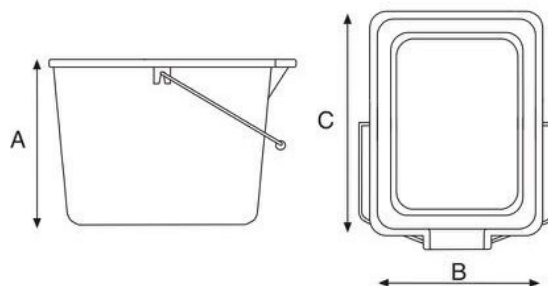


Package details

 Sizes (cm)	 Weight	 Pcs	 Type
42,5 x 71 x 56	20 Kg	N. 34	Box

Product details

 Sizes (cm)
A= 25
B= 25
C= 35,5



18262


Secchio Kouros#1 15 lt
Seau Kouros#1 15 lt
Balde Kouros#1 15 lt

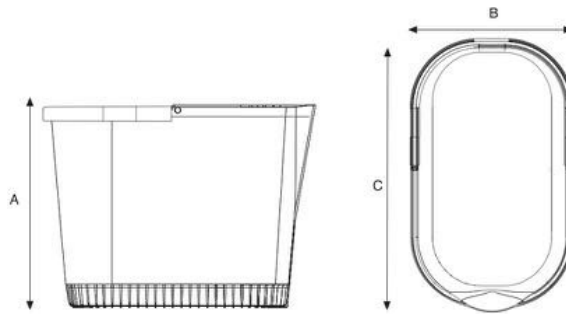


Package details

 Sizes (cm)	 Weight	 Pcs	 Type
50 x 39,5 x 42,5	7,2 Kg	N. 12	Box

Product details

 Sizes (cm)
A= 28
B= 22
C= 38



18271


Secchio con manico in plastica 16 lt
Seau avec anse plastique 16 lt
Balde con asa de plástico 16 lt

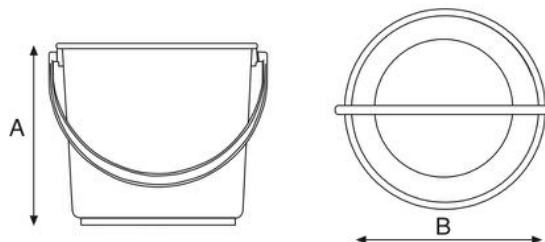


Package details

 Sizes (cm)	 Weight	 Pcs	 Type
32 x 32 x 93	9,8 Kg	N. 20	Polybag

Product details

 Sizes (cm)
A= 27
B= 30



06020


Cesta portabiancheria
Panier a linge
Cesto de la ropa



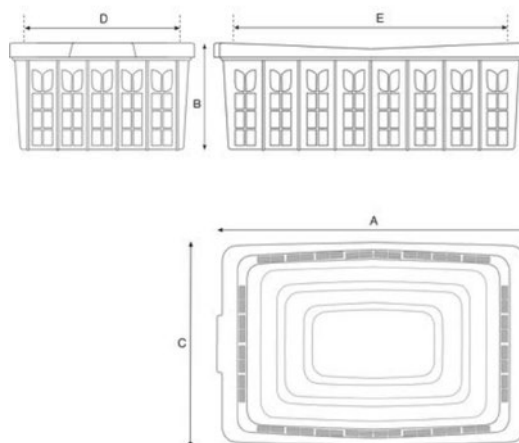
Package details

 Sizes (cm)	 Weight	 Pcs	 Type
58 x 38,5 x 48,5	6,8 Kg	N. 12	Box

Product details

 Sizes (cm)

A= 57
B= 20
C= 37,5
D= 33,5
E= 51




16047

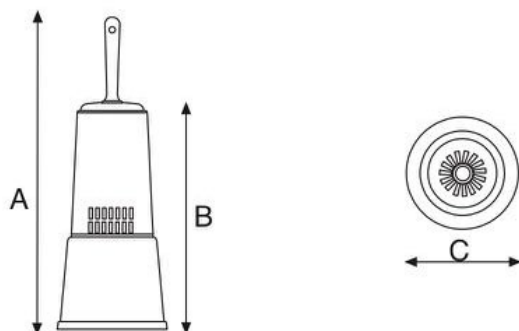
Portascopino WC chiuso
Ensemble WC fermee
Escobillero cerrado

Package details

 Sizes (cm)	 Weight	 Pcs	 Type
63 x 50 x 42,5	8,2 Kg	N. 24	Box

Product details

 Sizes (cm)
A= 41
B= 28
C= 15




16048

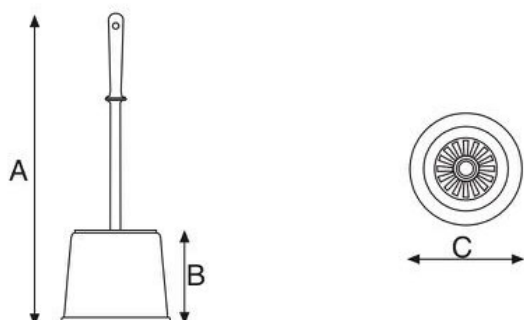
Portascopino WC aperto
Ensemble WC ouvert
Escobillero abierto

Package details

 Sizes (cm)	 Weight	 Pcs	 Type
47 x 47 x 41	5,3 Kg	N. 24	Box

Product details

 Sizes (cm)
A= 40
B= 12,5
C= 15




16049

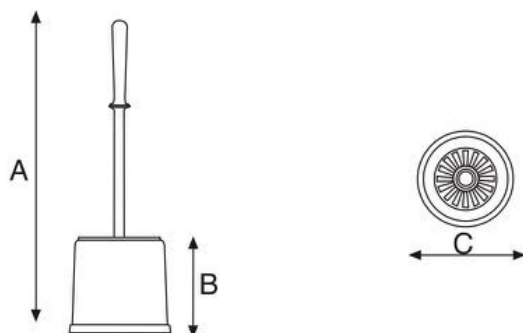
Portascopino WC economico
Ensemble WC eco
Escobillero económico

Package details

 Sizes (cm)	 Weight	 Pcs	 Type
47 x 47 x 41	5 Kg	N. 24	Box

Product details

 Sizes (cm)
A= 40
B= 11
C= 13




16050

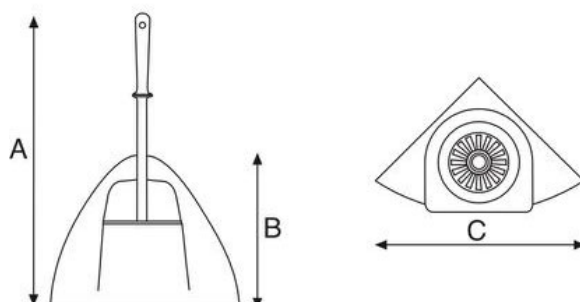
Portascopino WC Korner
Ensemble WC Korner
Escobillero Korner

Package details

 Sizes (cm)	 Weight	 Pcs	 Type
58 x 36 x 39,5	4,3 Kg	N. 12	Box

Product details


 Sizes (cm)
A= 39
B= 17
C= 24



16056

Scovolo WC
Balai WC
Escobillero

Package details


 Sizes (cm)
38 x 31 x 20

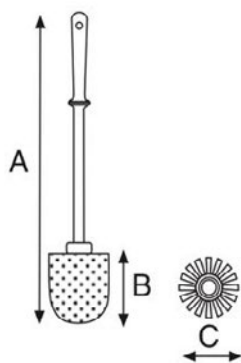
 Weight
2,3 Kg

 Pcs
N. 24

 Type
Box

Product details

 Sizes (cm)
A= 38
B= 9
C= 8



RACCOLTA
RECYCLAGE
RECICLAJE

4

Cestini gettacarta | Corbeille a papier | Papeleras
Cestone multiuso | Grand corbeille | Cesta multiusos
Pattumiere | Poubelles | Cubos de basura

UTILPLASTIC

07065


Cestino gettacarta aperto 13 lt
Corbeille a papier ajouree 13 lt
Papelera abierta 13 lt

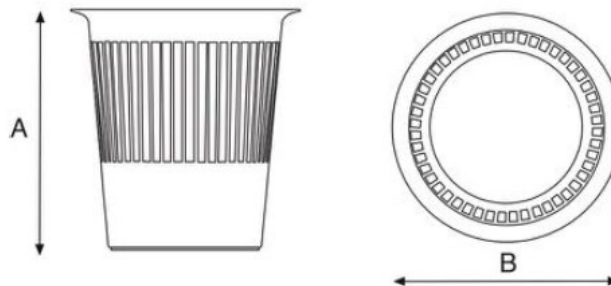


Package details

 Sizes (cm)	 Weight	 Pcs	 Type
30 x 30 x 82	9,5 Kg	N. 30	Polybag

Product details

 Sizes (cm)
A= 32
B= 30



07066


Cestino gettacarta chiuso 13 lt
Corbeille a papier ferme 13 lt
Papelera serrada 13 lt

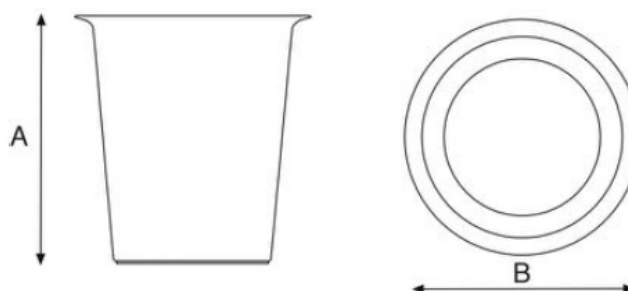


Package details

 Sizes (cm)	 Weight	 Pcs	 Type
30 x 30 x 85	11,5 Kg	N. 30	Polybag

Product details

 Sizes (cm)
A= 31
B= 30




07070,10

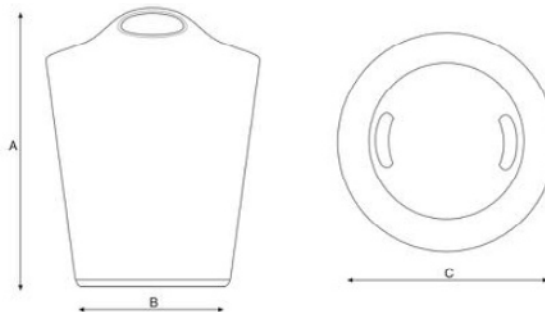
Cestone Multiuso lt 60
Grand corbeille 60 lt
Cesta multiusos 60 lt

Package details

 Sizes (cm)	 Weight	 Pcs	 Type
47 x 47 x 65	9 Kg	N. 6	Tubular.net

Product details

 Sizes (cm)
A= 32
B= 30



14070


Pattumiera con coperchio 16 lt
Poubelle avec couvercle 16 lt
Cubo con tapa 16 lt

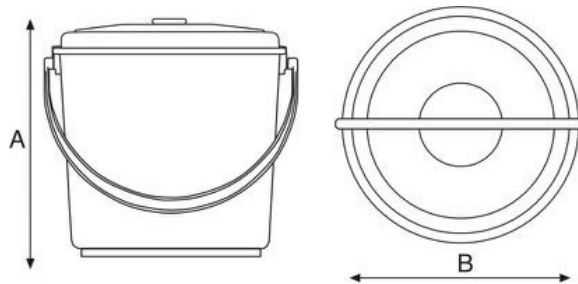


Package details

 Sizes (cm)	 Weight	 Pcs	 Type
31 x 31 x 80	7,3 Kg	N. 12	Box

Product details

 Sizes (cm)
A= 30
B= 31,5



14071


Pattumiera con coperchio 22 lt
Poubelle avec couvercle 22 lt
Cubo con tapa 22 lt

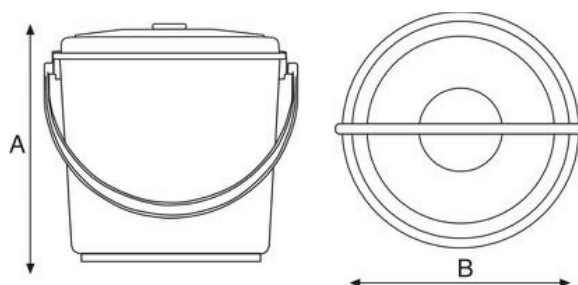


Package details

 Sizes (cm)	 Weight	 Pcs	 Type
33,5 x 33,5 x 85	9 Kg	N. 12	Box

Product details

 Sizes (cm)
A= 32,5
B= 35,5



14715


Pattumiera basculante 25lt
Poubelle a bascule 25 lt
Papelera basculante 25 lt

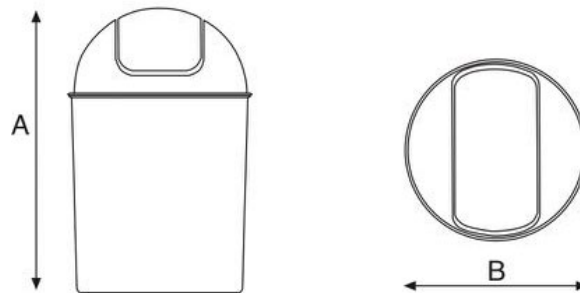


Package details

 Sizes (cm)	 Weight	 Pcs	 Type
60 x 31,5 x 68	7,5 Kg	N. 6	Box

Product details

 Sizes (cm)
A= 52
B= 29,5



14716


Pattumiera basculante 7 lt
Poubelle a bascule 7 lt
Papelera basculante 7 lt

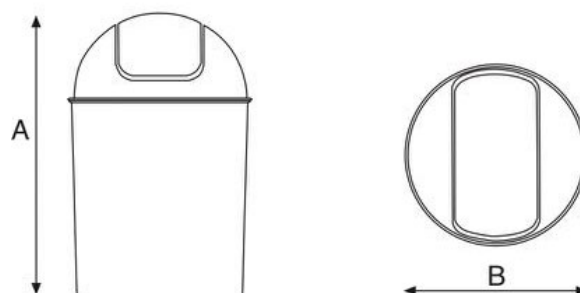


Package details

 Sizes (cm)	 Weight	 Pcs	 Type
42 x 21 x 58	4,2 Kg	N. 12	Box

Product details

 Sizes (cm)
A= 32
B= 20



14720


Pattumiera Utilgreen per raccolta differenziata 30 lt
Poubelle Utilgreen pour recyclage 30 lt
Cubo de basura para la recogida selectiva 30 lt



Package details

 Sizes (cm)	 Weight	 Pcs	 Type
88 x 39 x 33	9,6 Kg	N. 6	Box

Product details

 Sizes (cm)

A= 53,5
B= 18
C= 25
D= 39,6
E = 276



GIARDINO
JARDIN
JARDÍN

35

Vasi da giardino | Vases de jardin | Macetas de jardín
Sottovasi | Dessus de vases | Platillos

UTILPLASTIC

09000

Vaso simil cotto 15 – 1,5 lt

Vase jardin 15 – 1,5 lt


Maceta de jardín 15 – 1,5 lt

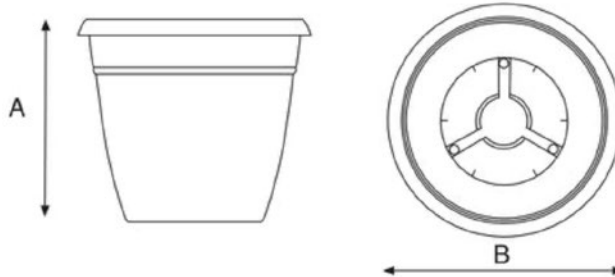


Package details

 Sizes (cm)	 Weight	 Pcs	 Type
53,5 x 39 x 49	12 Kg	N. 150	Box

Product details

 Sizes (cm)
A= 15
B= 14



09001

Vaso simil cotto 20 – 4,5 lt

Vase jardin 20 – 4,5 lt


Maceta de jardín 20 – 4,5 lt

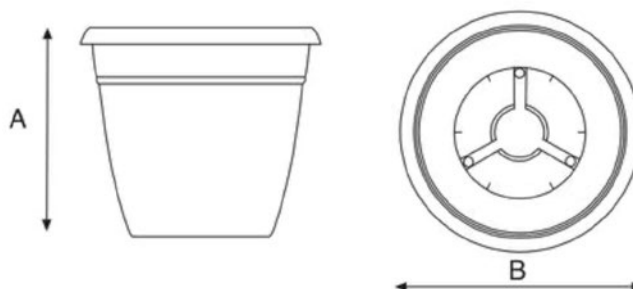


Package details

 Sizes (cm)	 Weight	 Pcs	 Type
23 x 23 x 50	3,9 Kg	N. 25	Tubular.net

Product details

 Sizes (cm)
A= 20
B= 18



09003

Vaso simil cotto 25 – 8 lt

Vase jardin 25 – 8 lt


Maceta de jardín 25 – 8 lt

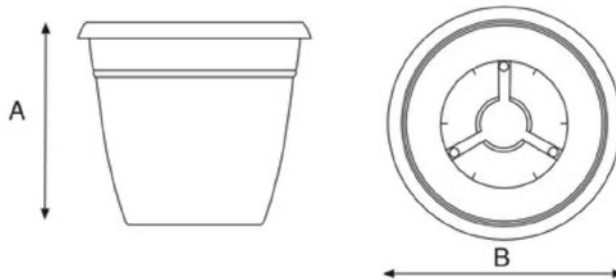


Package details

 Sizes (cm)	 Weight	 Pcs	 Type
27 x 27 x 55	6,6 Kg	N. 25	Tubular.net

Product details

 Sizes (cm)
A= 25
B= 22,5



09005

Vaso simil cotto 30 – 15 lt

Vase jardin 30 – 15 lt


Maceta de jardín 30 – 15 lt

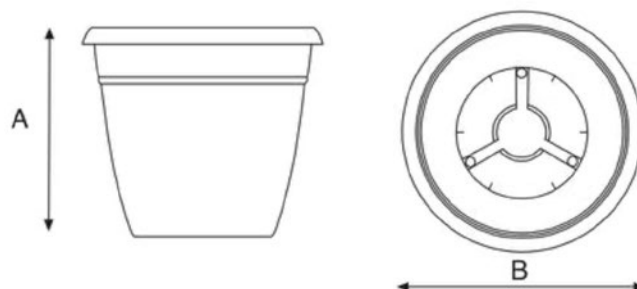


Package details

 Sizes (cm)	 Weight	 Pcs	 Type
33 x 33 x 75	10,8 Kg	N. 25	Tubular.net

Product details

 Sizes (cm)
A= 30
B= 27



09007

Vaso simil cotto 35 – 24 lt

Vase jardin 35 – 24 lt

Maceta de jardín 35 – 24 lt

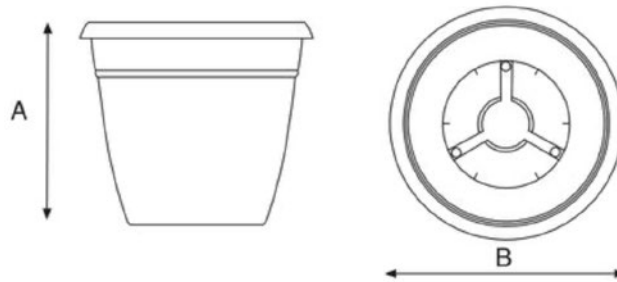


Package details

Sizes (cm)	Weight	Pcs	Type
39 x 39 x 42	6,5 Kg	N. 10	Tubular.net

Product details

Sizes (cm)
A= 35
B= 32,5



09008

Vaso simil cotto 40 – 35 lt

Vase jardin 40 – 35 lt

Maceta de jardín 40 – 35 lt

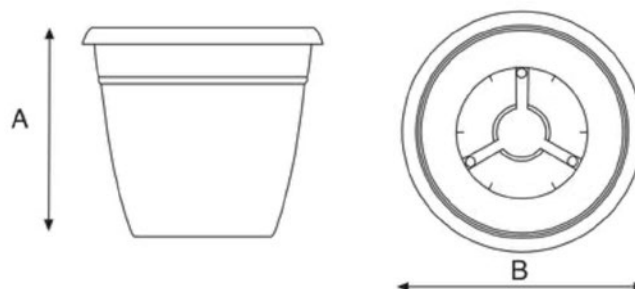


Package details

Sizes (cm)	Weight	Pcs	Type
44 x 44 x 45	10 Kg	N. 10	Tubular.net

Product details

Sizes (cm)
A= 40
B= 36



09020

Fioriera rettangolare 40x20 – 8 lt
Vase jardin rectangulaire 40x20 – 8 lt
Maceta de jardín rectangular 40x20 - 8 lt

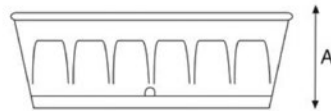
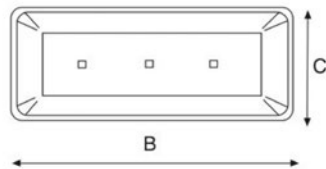


Package details

Sizes (cm)	Weight	Pcs	Type
41,5 x 41 x 60	10,5 Kg	N. 24	Box

Product details

Sizes (cm)
A= 41
B= 60,5
C= 41,5



09021

Fioriera rettangolare 50x20 – 10,5 lt
Vase jardin rectangulaire 50x20 – 10,5 lt
Maceta de jardín rectangular 50x20 – 10,5 lt

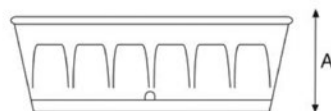
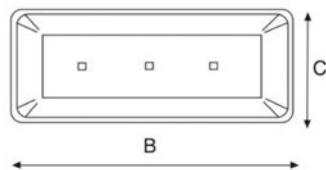


Package details

Sizes (cm)	Weight	Pcs	Type
51 x 41 x 60	13,6 Kg	N. 24	Box

Product details

Sizes (cm)
A= 40
B= 60,5
C= 51,5




09022

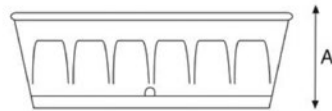
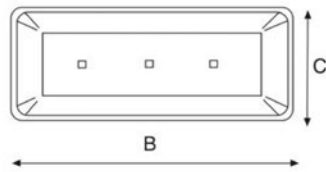
Fioriera rettangolare 60x20 – 12 lt
Vase jardin rectangulaire 60x20 – 12 lt
Maceta de jardín rectangular 60x20 – 12 lt

Package details

 Sizes (cm)	 Weight	 Pcs	 Type
61 x 41,5 x 60	15,5 Kg	N. 24	Box

Product details

 Sizes (cm)
A= 17
B= 60
C= 20



25091


Sottovaso Ø 12
Dessus de vase Ø 12
Platillo Ø 12

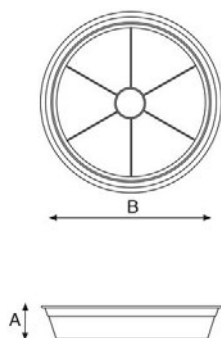


Package details

 Sizes (cm)	 Weight	 Pcs	 Type
35 x 24,5 x 25,5	6 Kg	N. 300	Box

Product details

 Sizes (cm)
A= 3



25092


Sottovaso Ø 14
Dessus de vase Ø 14
Platillo Ø 14

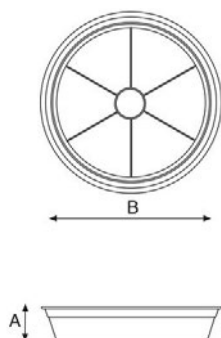


Package details

 Sizes (cm)	 Weight	 Pcs	 Type
42 x 28 x 26	9 Kg	N. 300	Box

Product details

 Sizes (cm)
A= 3



25093


Sottovaso Ø 16
Dessus de vase Ø 16
Platillo Ø 16

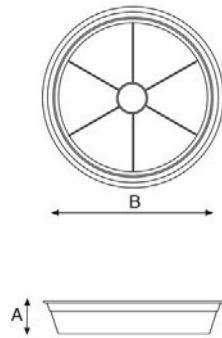


Package details

 Sizes (cm)	 Weight	 Pcs	 Type
47,5 x 32,5 x 25,5	10 Kg	N. 300	Box

Product details

 Sizes (cm)
A= 3



25094


Sottovaso Ø 18
Dessus de vase Ø 18
Platillo Ø 18

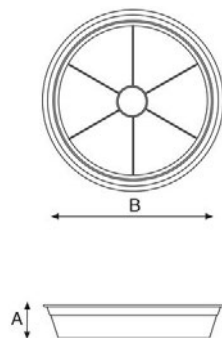


Package details

 Sizes (cm)	 Weight	 Pcs	 Type
54 x 35,5 x 26	13 Kg	N. 300	Box

Product details

 Sizes (cm)
A= 3



25095

Sottovaso Ø 20
Dessus de vase Ø 20
Platillo Ø 20

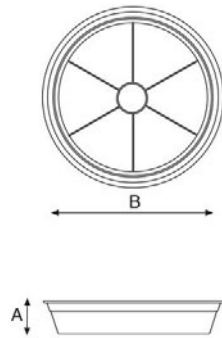


Package details

Sizes (cm)	Weight	Pcs	Type
40 x 26,5 x 57,5	16 Kg	N. 300	Box

Product details

Sizes (cm)
A= 3,5



25096

Sottovaso Ø 22
Dessus de vase Ø 22
Platillo Ø 22

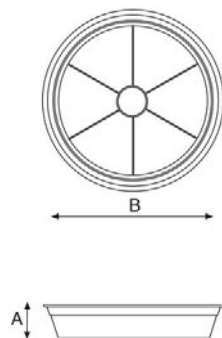


Package details

Sizes (cm)	Weight	Pcs	Type
45,5 x 28,5 x 45,5	14 Kg	N. 200	Box

Product details

Sizes (cm)
A= 3,5



25097

Sottovaso Ø 24
Dessus de vase Ø 24
Platillo Ø 24

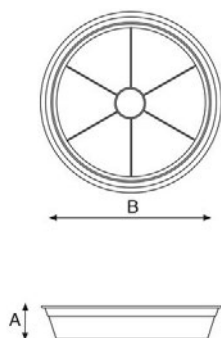


Package details

Sizes (cm)	Weight	Pcs	Type
87,5 x 87x 32,5	17 Kg	N. 200	Box

Product details

Sizes (cm)
A= 3,5



25098

Sottovaso Ø 26
Dessus de vase Ø 26
Platillo Ø 26

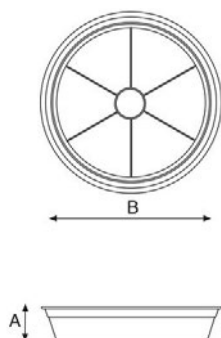


Package details

Sizes (cm)	Weight	Pcs	Type
51 x 26 x 37,5	13 Kg	N. 150	Box

Product details

Sizes (cm)
A= 4



25099


Sottovaso Ø 28
Dessus de vase Ø 28
Platillo Ø 28

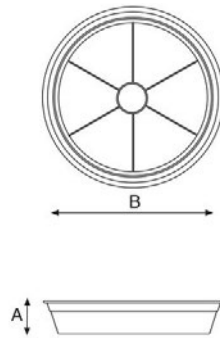


Package details

 Sizes (cm)	 Weight	 Pcs	 Type
56 x 29 x 37,5	16 Kg	N. 150	Box

Product details

 Sizes (cm)
A= 4



25100


Sottovaso Ø 30
Dessus de vase Ø 30
Platillo Ø 30

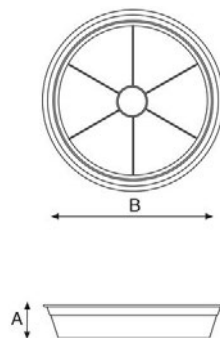


Package details

 Sizes (cm)	 Weight	 Pcs	 Type
59 x 30 x 39	19 Kg	N. 150	Box

Product details

 Sizes (cm)
A= 4



25101

Sottovaso Ø 34
Dessus de vase Ø 34
Platillo Ø 34

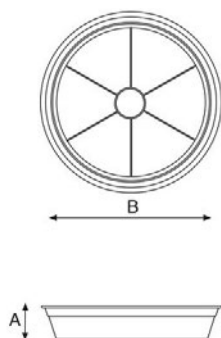


Package details

Sizes (cm) 35 x 35 x 29,5
 Weight 9 Kg
 Pcs N. 50
 Type Box

Product details

Sizes (cm)
A= 4,5



25102

Sottovaso Ø 38
Dessus de vase Ø 38
Platillo Ø 38

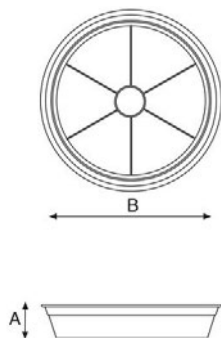


Package details

Sizes (cm) 38,5 x 38,5 x 29
 Weight 11 Kg
 Pcs N. 50
 Type Box

Product details

Sizes (cm)
A= 5





Utilplastic s.r.l.

Via del Campo Sportivo, 180

51036 Larciano - PT - Italia

Tel. ++39 0573 83161

info@utilplastic.it

WWW.UTILPLASTIC.IT